

8/17/2020

Magdiel Castle, MFA
Assistant Director of Cultural Arts
Dustin Michael Sekula Memorial Library
1906 South Closner Blvd.
Edinburg, TX 78539

Re: City of Edinburg Historical Auditorium c. 1927, 415 West University Drive Edinburg Texas 78539

Project No: 20166

Dear Magdiel Castle:

Per your request, we performed a limited visual observation of the portion of the existing roof structure that will support a new motorized self-climbing truss to support the lights that can come down to be able to replace or adjust lights as needed. The motorized self-climbing truss system has a capacity of 1,500 pounds and a length of 42 feet with four lifting points.

The motorized self-climbing truss location will be located under the first structural support near the front of the auditorium, same location as the existing batten. The structural framing at this location consists of a steel truss with double angles and the connections consists of riveted gusset plates to the double angles. See attached observations for truss pictures.

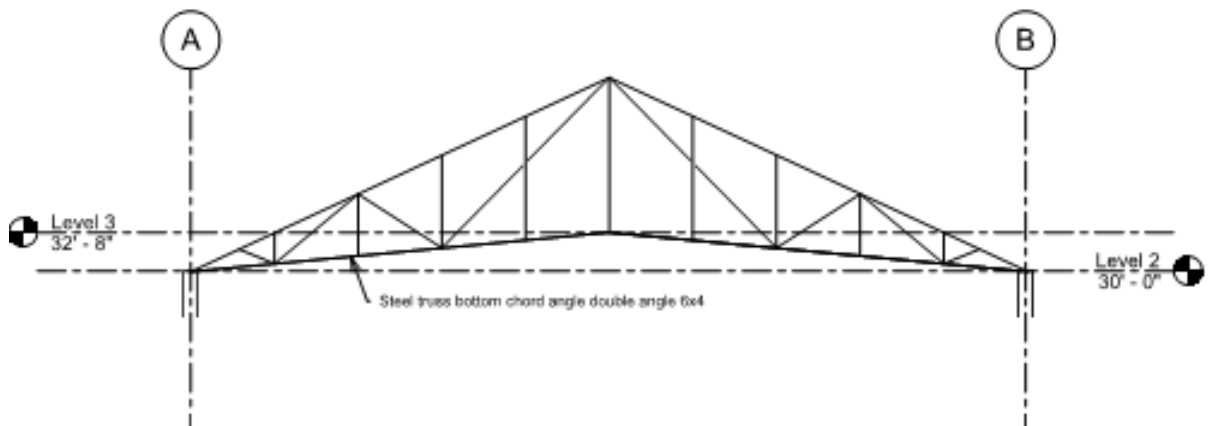


Figure 1. Truss Elevation

Based on our limited visual observations and analysis, the existing steel truss can support the new motorized self-climbing truss. Refer to Figure 2 for proposed connection detail of the lift lines for the motorized self-climbing truss.

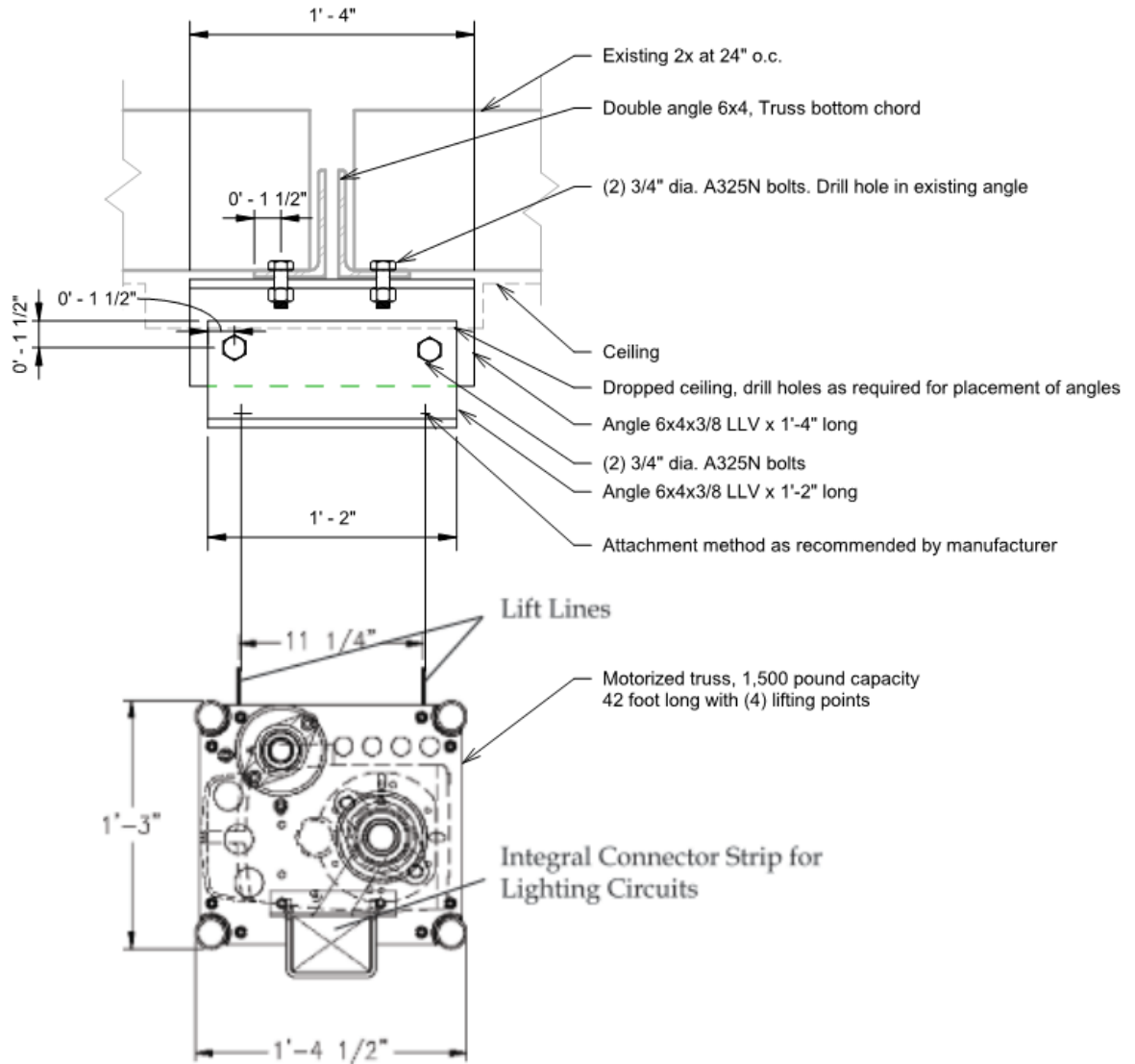


Figure 2. Proposed Connection Detail of Lift Lines

This report is the result of a professional, specific, and limited scope assignment. This structural observation was conducted with the customary and standard engineering practices as performed industry wide. While diligent efforts have been made to discover and record all suspected structural integrity conditions which may affect the value of the property, a structural observation does not typically include any sampling or testing, therefore, no subsurface or otherwise concealed conditions are noted in this report.

All reporting and report results are in accordance with acceptance practices and methods, techniques along with care normally used to reasonably locate pertinent data on which to base an opinion.

It has been a pleasure to have been able to serve you in this matter. Should any questions arise, please feel free to call me.

Respectfully Submitted,

Solorio, Inc. (F-1616)



Simon G. Solorio, PE



8/17/2020

Attachments, Field pictures

20166 City of Edinburg Historical Auditorium - Photos

Prepared by Simon Solorio

Sep 17, 2020

Description

8 tasks in this report.

Contents

#1 General.....	2
#2 Plumbing	4
#3 General.....	5
#4 Acoustical Ceiling	6
#5 Column	8
#6 Beam	10
#7 General.....	12
#8 General.....	13

#1 General

Status

Open

Created

Sep 17, 2020 1:03 PM
simon@solorio.com

Sheet

S.1

Type

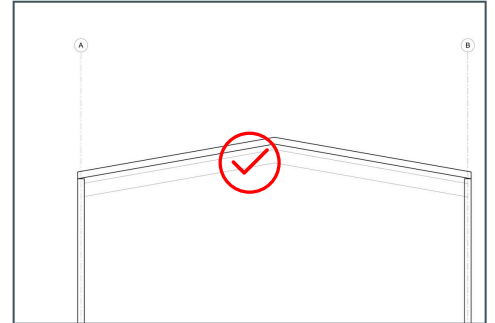
Issue

Last Updated

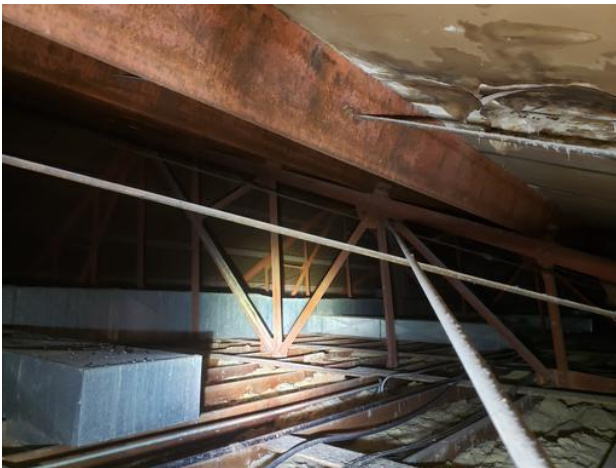
Sep 17, 2020 7:48 PM

Location

Crawl space



Photos



20200917_130440_photo

Simon Solorio

Sep 17, 2020 1:04 PM



20200917_130424_photo

Simon Solorio

Sep 17, 2020 1:04 PM



20200917_130407_photo

Simon Solorio

Sep 17, 2020 1:04 PM



20200917_130348_photo

Simon Solorio

Sep 17, 2020 1:03 PM

#2 Plumbing

Status

Open

Created

Sep 17, 2020 1:04 PM
simon@solorio.com

Sheet

S.1

Type

Issue

Last Updated

Sep 17, 2020 7:49 PM

Location

Crawl space

List

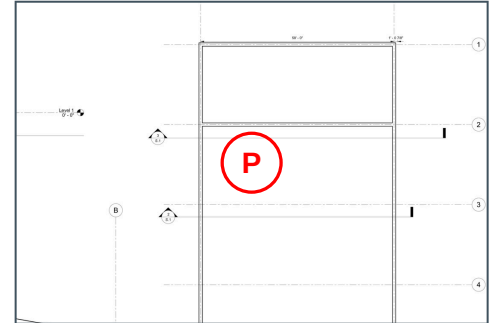
Damage

Root Cause

Quality >
Weather

Description

Water infiltration through the roof



Photos



20200917_130546_photo
Simon Solorio
Sep 17, 2020 1:05 PM



20200917_130511_photo
Simon Solorio
Sep 17, 2020 1:05 PM

#3 General

Status

Open

Created

Sep 17, 2020 1:06 PM
simon@solorio.com

Sheet

S.1

Type

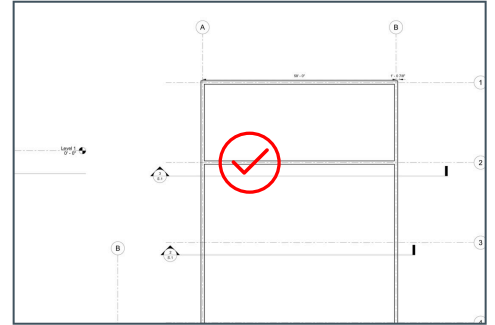
Issue

Last Updated

Sep 17, 2020 1:07 PM

Description

2x8 at 2 ft



Photos



20200917_130621_photo

Simon Solorio

Sep 17, 2020 1:06 PM

#4 Acoustical Ceiling

Status

Open

Created

Sep 17, 2020 4:40 PM
simon@solorio.com

Sheet

S.1

Type

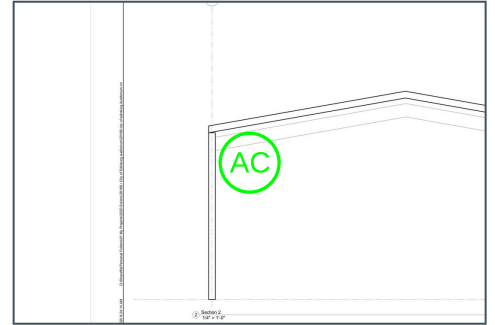
Issue

Last Updated

Sep 17, 2020 7:47 PM

Location

Auditorium



Photos



20200917_124358_photo
Simon Solorio
Sep 17, 2020 12:43 PM



20200917_124349_photo
Simon Solorio
Sep 17, 2020 12:43 PM

20166 City of Edinburg Auditorium

415 West University Drive, Edinburg, Texas



20200917_124335_photo

Simon Solorio

Sep 17, 2020 12:43 PM

#5 Column

Status

Open

Created

Sep 17, 2020 4:41 PM
simon@solorio.com

Sheet

S.1

Type

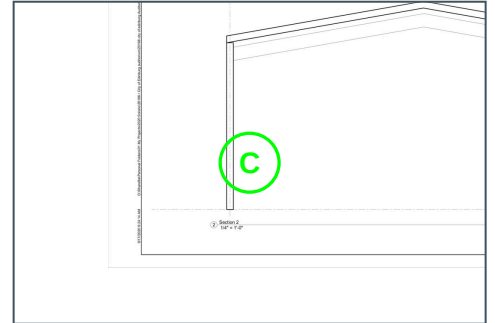
Issue

Last Updated

Sep 17, 2020 7:46 PM

Location

Auditorium



Photos



20200917_124439_photo

Simon Solorio

Sep 17, 2020 12:44 PM

20166 City of Edinburg Auditorium

415 West University Drive, Edinburg, Texas



20200917_124426_photo

Simon Solorio

Sep 17, 2020 12:44 PM

#6 Beam

Status

Open

Created

Sep 17, 2020 4:41 PM
simon@solorio.com

Sheet

S.1

Type

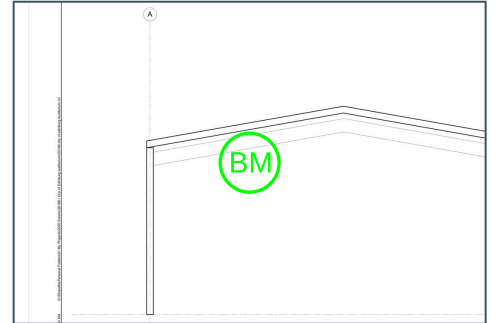
Issue

Last Updated

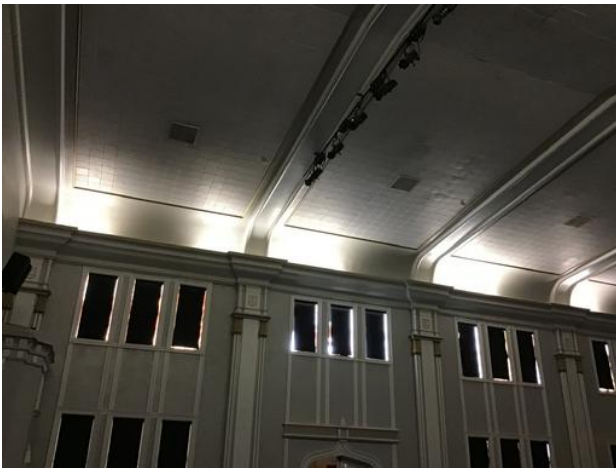
Sep 17, 2020 7:47 PM

Location

Auditorium



Photos



20200917_124514_photo

Simon Solorio

Sep 17, 2020 12:45 PM

20166 City of Edinburg Auditorium

415 West University Drive, Edinburg, Texas



20200917_124502_photo

Simon Solorio

Sep 17, 2020 12:45 PM

#7 General

Status

Open

Created

Sep 17, 2020 7:50 PM
simon@solorio.com

Sheet

S.1

Type

Issue

Last Updated

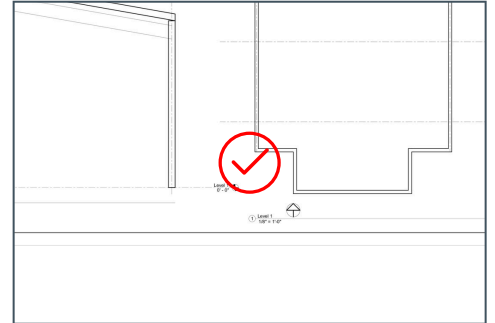
Sep 17, 2020 7:52 PM

Location

Exterior

Description

South west elevation



Photos



20200917_131849.jpg

Simon Solorio

Sep 17, 2020 7:51 PM



20200917_131924.jpg

Simon Solorio

Sep 17, 2020 7:51 PM

#8 General

Status

Open

Created

Sep 17, 2020 7:52 PM
simon@solorio.com

Sheet

S.1

Type

Issue

Last Updated

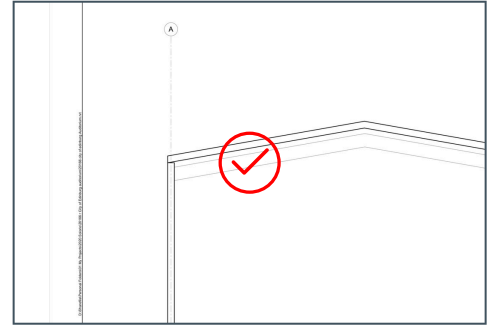
Sep 17, 2020 7:56 PM

Location

Crawl space

Description

Steel truss



Photos



20200917_130742.jpg

Simon Solorio

Sep 17, 2020 7:53 PM



20200917_130756.jpg

Simon Solorio

Sep 17, 2020 7:53 PM



20200917_130758.jpg
Simon Solorio
Sep 17, 2020 7:53 PM



20200917_130802.jpg
Simon Solorio
Sep 17, 2020 7:53 PM



20200917_130804.jpg
Simon Solorio
Sep 17, 2020 7:53 PM



20200917_130806.jpg
Simon Solorio
Sep 17, 2020 7:53 PM



20200917_130810.jpg

Simon Solorio

Sep 17, 2020 7:53 PM



20200917_130814.jpg

Simon Solorio

Sep 17, 2020 7:53 PM



20200917_130836.jpg

Simon Solorio

Sep 17, 2020 7:53 PM